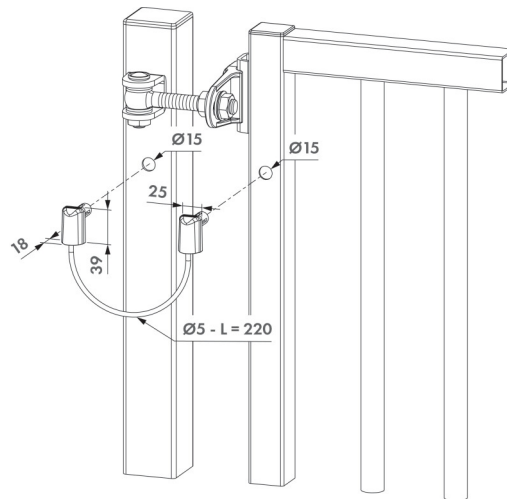


B-SAFE



<https://www.locinox.com/en-gb/gate-hardware/accessories-for-gates/security-cables/p00002273>

The B-Safe gate safety cable avoids the gate to fall in case of hinge failure. Thanks to the patented Quick-Fix fixation system, the B-Safe is easily yet firmly fixed into the post. The B-Safe cable is rated up to 1000 kg and prevents gates up to 500 kg from falling in case both hinges might fail. If correctly installed, this safety cable protects all gates fitted with Locinox hinges. B-Safe has been developed to secure a gate in accordance with EN 12604.



TECHNICAL SPECIFICATIONS

Installation Method	Hexagon Screws (HEX 5) Quick-Fix
Length Provided Cable	220 mm
Gate Weight	0 - 500 kg
Depth Adjustability	15 mm
Materials Main Part(s)	Glass Fibre Reinforced Polyamide Stainless Steel
Norms	EN 12604
Hours of Salt Spray Testing	500
Test Frequency	500000
Years of Warranty	3